

SunPower Maxeon 7

SPR-MAX7-XXX

Solar Panel

465–475 W | Up to 24.0% Efficient



Ideal for residential applications



White backsheet, black frame

Maximum energy creation

- Industry's lowest degradation rate¹
- Warranted power output for 40 years - up to 15 years longer than standard panels
- Proven resistance to the damaging effects of shade, soiling, heat, wind and hail

Superior aesthetics & design

- Sleek panel technology complements any project's design
- High efficiency enables flexibility for current and future system designs

Unrivalled sustainability

- Lead and PFAS free, RoHS and REACH-SVHC compliant
- Cradle to Cradle Silver certified panel



Backed by a comprehensive 40-year warranty

Others make promises their warranty doesn't support. We're different. Decades of boundary-pushing solar research gives us the confidence to warrant our panels for a full 40 years of power, product and service coverage.²

Product, power, service coverage	40 Years
Year 1 minimum warranted output	98.0%
Maximum annual degradation	0.25%

Learn more about SunPower Maxeon panels
sunpower.maxeon.com

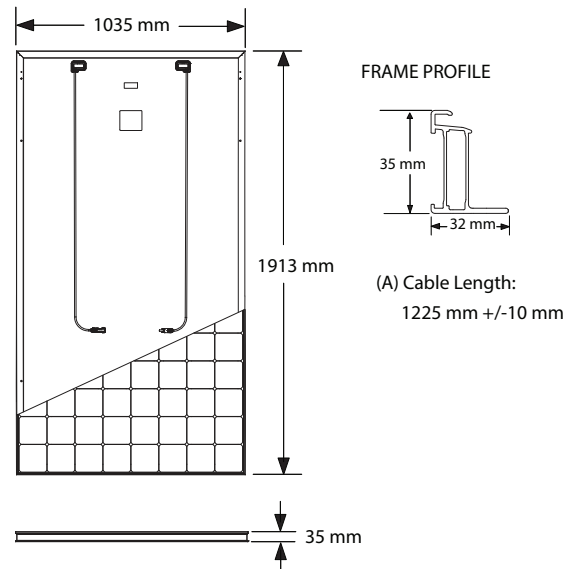
Maxeon 7 POWER: 465–475 W | EFFICIENCY: Up to 24.0%

Electrical Data ³			
	SPR-MAX7-475	SPR-MAX7-470	SPR-MAX7-465
Nominal Power (Pmax) ⁴	475 W	470 W	465 W
Power Binning	+5/0%	+5/0%	+5/0%
Panel Efficiency	24.0%	23.7%	23.5%
Rated Voltage (Vmpp)	38.06 V	37.90 V	37.74 V
Rated Current (Impp)	12.48 A	12.40 A	12.32 A
Open-Circuit Voltage (Voc) ⁴	44.47 V	44.44 V	44.41 V
Short-Circuit Current (Isc) ⁴	13.20 A	13.18 A	13.16 A
Max. System Voltage	1000 V IEC & 1000 V UL		
Maximum Series Fuse	25 A		
Power Temp Coef.	-0.27% / °C		
Voltage Temp Coef.	-0.236% / °C		
Current Temp Coef.	0.058% / °C		
NOCT (+/-2°C)	41.5°C		

Certifications and Compliance	
Standard Tests	IEC 61215, IEC 61730, UL 61730
Fire ratings	Class C (IEC 61730-2 / UL 790), Type 5 (UL 61730)
Protection Class	Class II (IEC 61140)
Quality Management Certs	ISO 9001:2015, ISO 14001:2015
Ammonia Test	IEC 62716
Dust and Sand Test	IEC 60068-2-68, MIL-STD-810G
Salt Spray Test	IEC 61701 (Test Method 8)
PID Test	1000 V: IEC 62804
Available Listings	IEC, UL
IFLI Declare Label	Ingredient transparency and LBC-compliance. ⁵
Cradle to Cradle Certified™ Silver	Certified for material health, water stewardship, material reutilization, renewable energy & carbon management, and social fairness. ⁶
Green Building Certification Contribution	Panels can contribute additional points toward LEED and BREEAM certifications.
EHS Compliance	RoHS, ISO 45001:2018, Recycle Scheme, REACH SVHC-163

Operating Condition And Mechanical Data	
Testing Temperature	-40°C to +85°C
Solar Cells	120 monocrystalline Maxeon IBC cells
Tempered glass	3.2 mm, high-transmission tempered anti-reflective
Junction Box	IP-68, Stäubli, PV-KST4/6I-UR, PV-KBT4/6I-UR, 2 bypass diodes
Weight	21.1 kg
Max. Load ⁷	Wind: 4050 Pa, 413 kg/m ² front & back Snow: 5400 Pa, 550 kg/m ² front
Impact Resistance	45 mm diameter hail at 30.7 m/s
Frame	Class 1 black anodized (highest AAMA rating)

Packaging Configuration	
Number of modules per pallet	30
Number of pallets per 40ft HQ container	24
Number of modules per container	720



Please read the safety and installation instructions. Visit www.maxeon.com/PVInstallGuide. Paper version can be requested through techsupport.ROW@maxeon.com.



IEC 61215
IEC 61730
Regular Production
Surveillance
www.tuv.com
ID: 1111291909

1 Based on 2024 review of published efficiency and warranty data on manufacturer websites for top 20 manufacturers per IHS 2023.

2 SunPower Maxeon solar panels are backed by a 40-year warranty. Subject to terms and conditions. Not available in all countries. 40-year warranty requires registration, otherwise our 25-year warranty applies.

3 Standard Test Conditions (1000 W/m² irradiance, AM 1.5, 25° C). NREL calibration Standard: SOMS current, LACCS FF and Voltage.

4 Measurements tolerance +/-3%.

5 Maxeon DC panels first received the International Living Future Institute Declare Label in 2016.

6 Maxeon DC panels are Cradle to Cradle Certified™ Silver - www.c2ccertified.org/certified-products-and-materials/maxeon-solar-panels. Cradle to Cradle Certified™ is a certification mark licensed by the Cradle to Cradle Products Innovation Institute.

7 Test load as per IEC 61215-2 is equal to design load with safety factor = 1.5. See "Safety and Installation Instructions" for details.

Made in Philippines (Cells)

Assembled in Mexico (Module)

Specifications included in this datasheet are subject to change without notice.

©2024 Maxeon Solar Technologies. All Rights Reserved.

View warranty, patent and trademark information at maxeon.com/legal.