

# SunPower Maxeon 6

SPR-MAX6-XXX-COM

## Commercial Solar Panel

440 W | Up to 20.7% Efficient



Ideal for commercial applications



White backsheet, silver frame

## More Lifetime Energy

Designed to maximise energy generation through leading efficiency, enhanced performance in high temperatures, and higher energy conversion in low-light conditions like mornings, evenings and cloudy days.

## Uncompromising Durability

Engineered to power through all types of weather conditions with crack-resistant cells and reinforced connections that protect against fatigue and corrosion, to an electrical architecture that mitigates the impact of shade and prevents hot-spot formation.



## Superior Sustainability

Clean ingredients, responsible manufacturing, and lasting energy production for 40 years make SunPower Maxeon panels the most sustainable choice in solar.



## The Industry's Longest Warranty

SunPower Maxeon panels are covered by a 40-year warranty<sup>1</sup> backed by extensive third-party testing and field data from more than 50 million panels deployed worldwide.

Product and power coverage	40 Years
Year 1 minimum warranted output	98.0%
Maximum annual degradation	0.25%



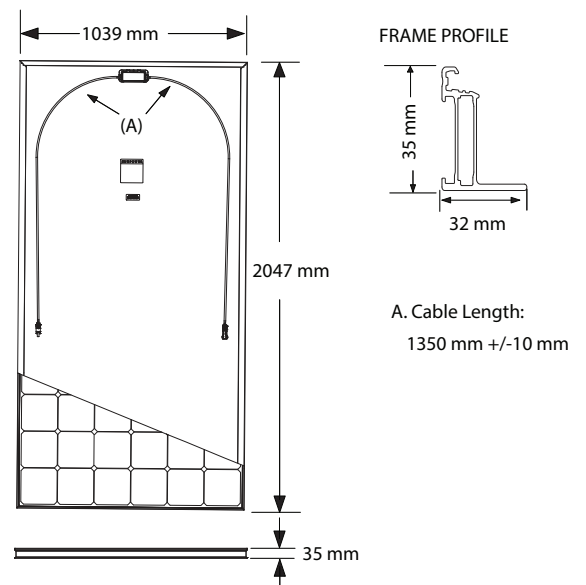
# Maxon 6 POWER: 440 W | EFFICIENCY: Up to 20.7%

Electrical Data	
SPR-MAX6-440-COM	
Nominal Power (P <sub>nom</sub> ) <sup>2</sup>	440 W
Power Tolerance	+5/0%
Panel Efficiency	20.7%
Rated Voltage (V <sub>mpp</sub> )	42.3 V
Rated Current (I <sub>mpp</sub> )	10.40 A
Open-Circuit Voltage (V <sub>oc</sub> ) (+/-3%)	52.4 V
Short-Circuit Current (I <sub>sc</sub> ) (+/-3%)	11.49 A
Max. System Voltage	1500 V IEC
Maximum Series Fuse	20 A
Power Temp Coef.	-0.29% / °C
Voltage Temp Coef.	-0.239% / °C
Current Temp Coef.	0.057% / °C

Operating Condition And Mechanical Data	
Temperature	-40°C to +60°C
Solar Cells	72 Monocrystalline Maxon Gen 6
Tempered glass	3.2 mm, high-transmission tempered anti-reflective
Junction Box	IP-68, EVO2, 3 bypass diodes
Weight	22.7 kg
Max. Load <sup>6</sup>	Wind: 3600 Pa, 367 kg/m <sup>2</sup> front & back Snow: 5400 Pa, 550 kg/m <sup>2</sup> front
Impact Resistance	45 mm diameter hail at 30.7 m/s
Frame	Class 2 silver anodized

Packaging Configuration	
Number of modules per pallet	29
Number of pallets per 40ft HQ container	22
Number of modules per container	638

Certifications and Compliance	
Standard Tests	IEC 61215, IEC 61730
Fire ratings <sup>3</sup>	Spread of Flame: Class A Burning Brand: Class C
Quality Management Certs	ISO 9001:2015, ISO 14001:2015
Ammonia Test	IEC 62716
Desert Test	IEC 60068-2-68, MIL-STD-810G
Salt Spray Test	IEC 61701 (Severity 6)
PID Test	1500 V: IEC 62804
Available Listings	TUV, MCS, CEC
IFLI Declare Label	First solar panel labeled for ingredient transparency and LBC-compliance. <sup>4</sup>
Cradle to Cradle Certified™ Silver	First solar panel line certified for material health, water stewardship, material reutilization, renewable energy & carbon management, and social fairness. <sup>5</sup>
Green Building Certification Contribution	Panels can contribute additional points toward LEED and BREEAM certifications.
EHS Compliance	RoHS, ISO 45001:2018, Recycle Scheme, REACH SVHC-163



Declare.



Please read the safety and installation instructions. Visit [www.sunpower.maxon.com/int/PVInstallGuideIEC](http://www.sunpower.maxon.com/int/PVInstallGuideIEC). Paper version can be requested through [techsupport.ROW@maxeon.com](mailto:techsupport.ROW@maxeon.com).

1 40-year warranty is not available in all countries or all installations and requires registration, otherwise our 25-year warranty applies. Service availability varies by country and installation provider.

2 Standard Test Conditions (1000 W/m<sup>2</sup> irradiance, AM 1.5, 25° C). NREL calibration Standard: SOMS current, LACCS FF and Voltage.

3 As per IEC 61730-2 / UL 790.

4 Maxon DC panels first received the International Living Future Institute Declare Label in 2016.

5 Maxon DC panels are Cradle to Cradle Certified™ Silver - [www.c2ccertified.org/certified-products-and-materials/maxon-solar-panels](http://www.c2ccertified.org/certified-products-and-materials/maxon-solar-panels). Cradle to Cradle Certified™ is a certification mark licensed by the Cradle to Cradle Products Innovation Institute.

6 As per IEC 61215-2016 tested. See Safety and Installation Guideline for details.

Made in Malaysia (Cells)

Assembled in Mexico (Module)

Specifications included in this datasheet are subject to change without notice.

©2024 Maxon Solar Technologies. All Rights Reserved.

View warranty, patent and trademark information at [maxeon.com/legal](http://maxeon.com/legal).

# SUNPOWER

FROM MAXEON SOLAR TECHNOLOGIES

549062 REV B / A4\_EN  
Publication Date: February 2024